



VBP-12 固封式  
VBP-12 solid seal type

### 1 概述 CHARACTERISTICS

VBP户内中压固封式真空断路器是本公司自行研制、开发的新一代真空断路器、VBP真空断路器适用于以空气为绝缘的户内式开关，用于交流50Hz、额定电压12Kv及以下的电网中起控制和保护作用，VBP真空断路器在频繁操作和需要开断短路电流的场合下具有极为优良的性能、完全满足自动重合闸的要求并具有高的可靠性操作与使用寿命。

VBP在开关柜内的安装形式即可以是固定式，也可以是安装于手车。VBP可安装于kVN28、KYN96型开关柜或配套于其它铠装中置柜；可提供额定电流为630A、1250A、1600A固封极柱真空断路器，可安装于650mm柜宽的开关柜；

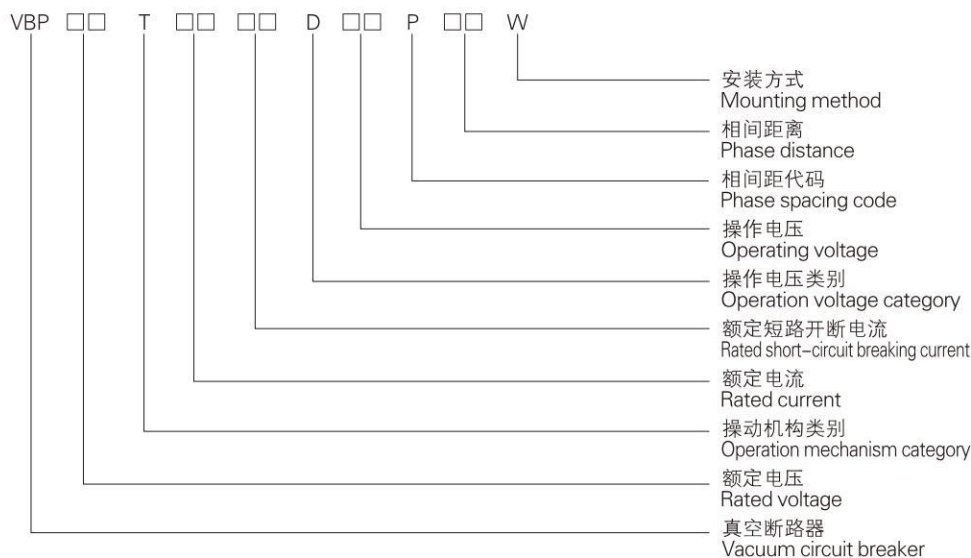
VBP固封式真空断路器符合GB、IEC和DL标准和规范；GB/T11022、IEC 60694高压开关设备和控制设备标准的共同技术条件；GB1984、DL403、JB3855交流高压断路器。

VBP vacuum circuit breaker is a new generation of vacuum circuit breaker developed by our company, VBP vacuum circuit breaker is suitable for indoor type switch with air as insulation, used in AC 50Hz, rated voltage 12Kv and below in the power grid to play a control and protection role, VBP vacuum circuit breaker has excellent performance in frequent operation and the need to open short-circuit current occasions The VBP vacuum circuit breaker can meet the requirements of automatic reclosing and has high reliability of operation and service life.

VBP can be installed in kVN28, KYN96 type switchgear or other armored middle cabinet; it can be provided with 630A, 1250A, 1600A rated current and can be installed in 650mm wide switchgear;

VBP solid-pole vacuum circuit breakers conform to GB, IEC and DL standards and specifications; common technical conditions of GB/T11022, IEC 60694 high-voltage switchgear and controlgear standards; GB1984, DL403, JB3855 AC high-voltage circuit breakers.

### 2 型号及其含义 MODEL DESCRIPTION



注：操动机构类别：T—代表弹簧操动机构 M—代表永磁电动操动机构  
Actuator type: T—stands for spring-operated actuator M—stands for permanent magnet electric actuator  
操动电压类别：D—代表直流 A—代表交流；安装方式类别：W—手车式 F—代表固定式  
Operation voltage category: D—represents DC A—represents AC;  
Installation mode category: W—hand truck type F—represents fixed type

## 3 主要技术参数 MAIN TECHNICAL PARAMETERS

序号 No.	项目 Projects	单位 Unit	数据 Data			
1	额定电压 Rated voltage		12			
2	额定绝缘水平 Rated insulation level	额定短时工频耐受电压(1min) Work frequency withstand voltage (before and after rated opening and closing)	kV	42		
3		额定雷电冲击耐受电压(峰值) Impact withstand voltage (before and after rated opening)		75		
4	额定频率 Rated frequency	Hz	50			
5	额定电流 Rated current	A	630 1250	630 1250	1250	1250
					1600	1600
					2000	2000
					2500	2500
					3150	3150
				4000		
6	额定短路开断电流 Rated short-circuit breaking current		20	25	31.5	40(50)
7	额定短时耐受电流 Rated short-time withstand current		20	25	31.5	40(50)
8	额定峰值耐受电流 Rated peak withstand current	kA	50	63	80	100/125
9	额定短路关合电流 Rated short-circuit closing current		50	63	80	100/125
10	4s动稳定电流 4s dynamic stabilization current		20	25	31.5	40(50)
11	额定动稳电流 Rated dynamic stabilization current		50	63	80	100/125
12	开合空载电缆的充电电流 Charging current of open and closed no-load cable	A	25			
13	额定电容器组开断电流 Rated capacitor bank breaking current		400			
14	短路电流开断(O)试验次数 Short-circuit current opening and closing (O) Number of tests	次 Times	274			
15	额定操作顺序自动重合闸 Automatic reclosing of rated operation sequence		O-0.3s-CO-180s-CO			
16	额定操作顺序非自动重合闸 Rated operating sequence non-automatic reclosing		O-0.3s-CO-180s-CO			
17	额定操作电压 Rated operating voltage	分合闸线圈 Breaking and closing coil	V	AC110/220DC110/220		
		储能电机 Energy storage motor		AC110/220DC110/220		
18	失压脱扣器额定电压 Loss-of-voltage decoupler rated voltage		AC220/110			
19	二次回路1min工频耐压 Secondary circuit 1min frequency withstand voltage	V	2000			
20	动、静触头允许磨损累计厚度 Permitted wear accumulated thickness of dynamic and static contacts	mm	3			
21	机械寿命 Mechanical life	次 Times	3000(31.5kA)	2000(40/50KA)		

注：1、平均合闸速度是指断路器触头全开距平均速度。

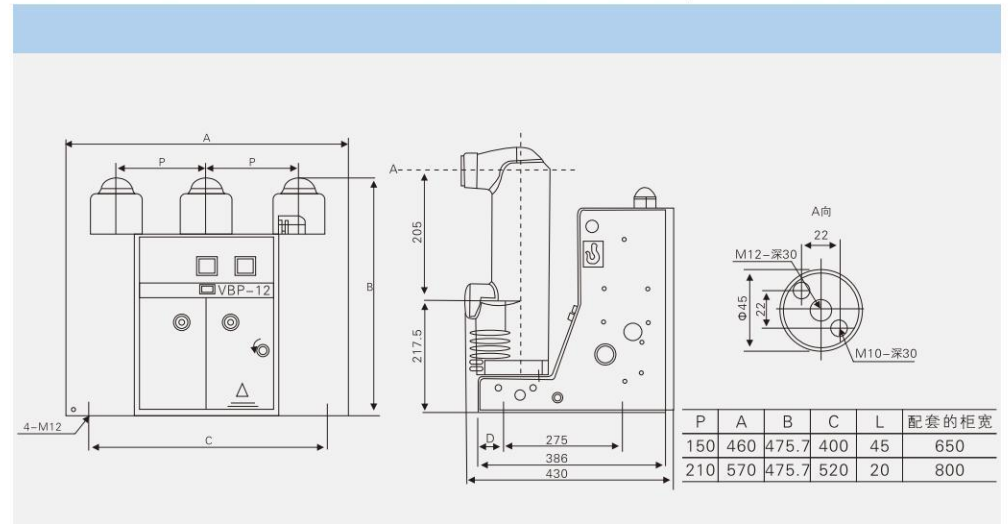
The average closing speed is the average speed of the full opening distance of the circuit breaker contacts.

2、平均分闸速度是指断路器触头刚分后6mm的平均速度。

The average breaking speed is the average speed of the circuit breaker contact just after the 6 mm.

4 外形尺寸 OUTLINE DIMENSION DRAWING

①固定式真空断路器外形及安装尺寸 Fixed vacuum circuit breaker shape and installation dimensions



②手车式真空断路器外形及安装尺寸 Trolley type vacuum circuit breaker shape and installation size

